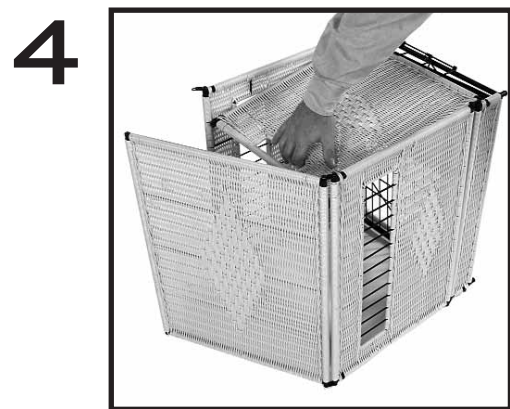
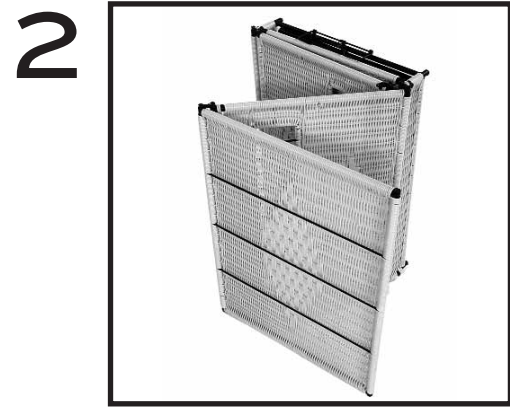
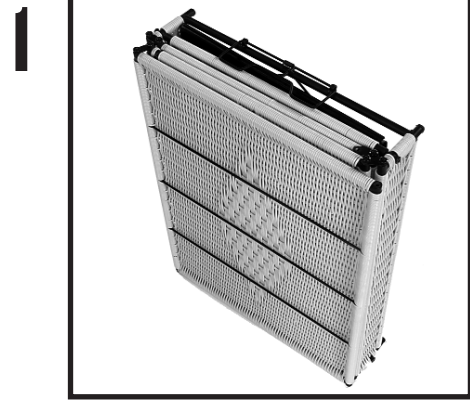
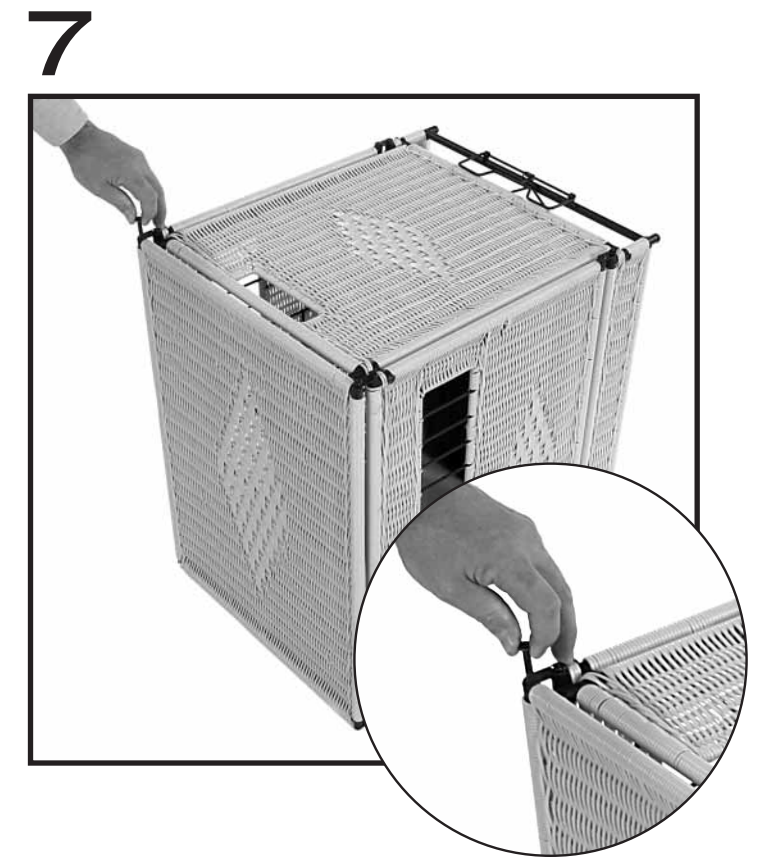
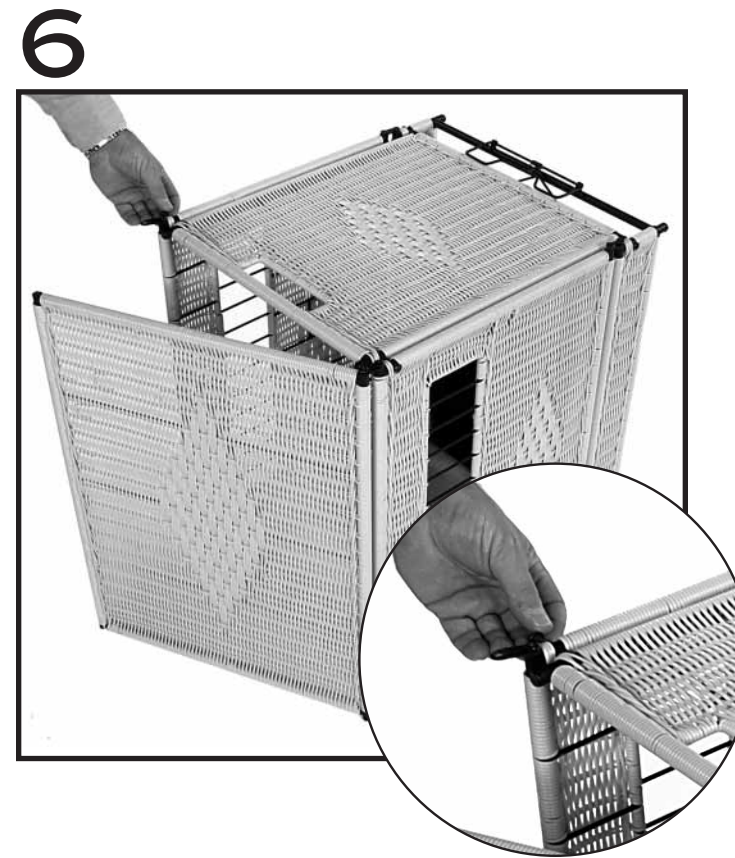
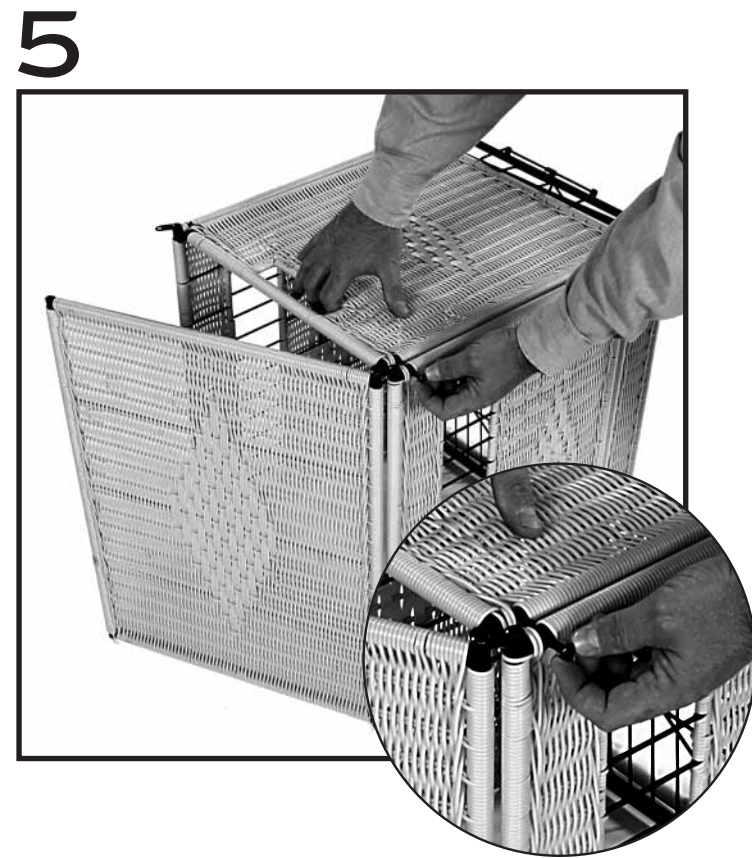


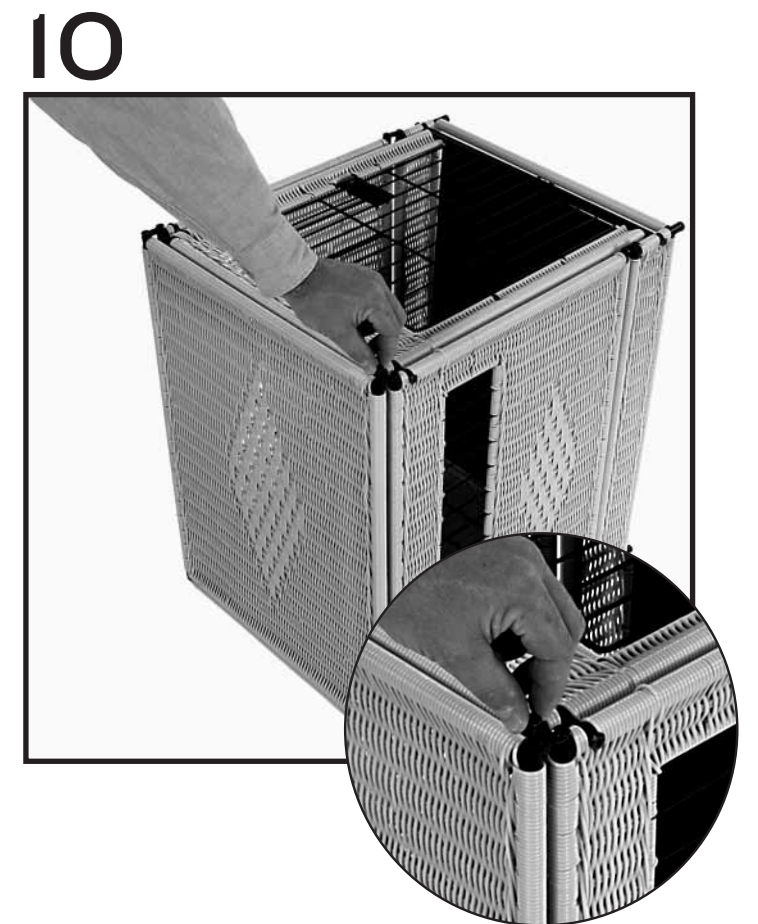
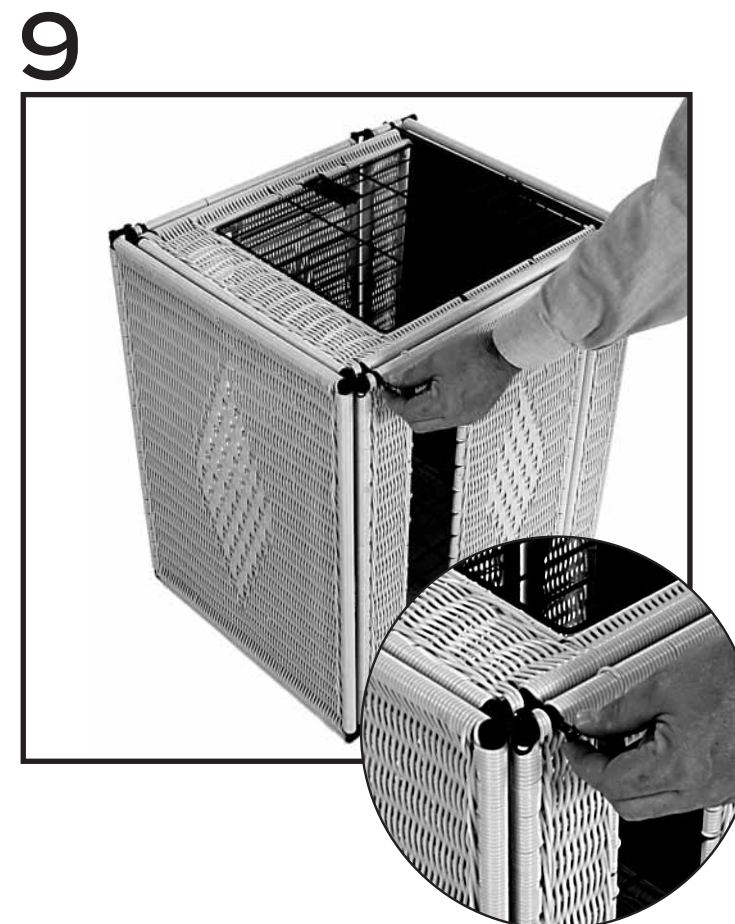
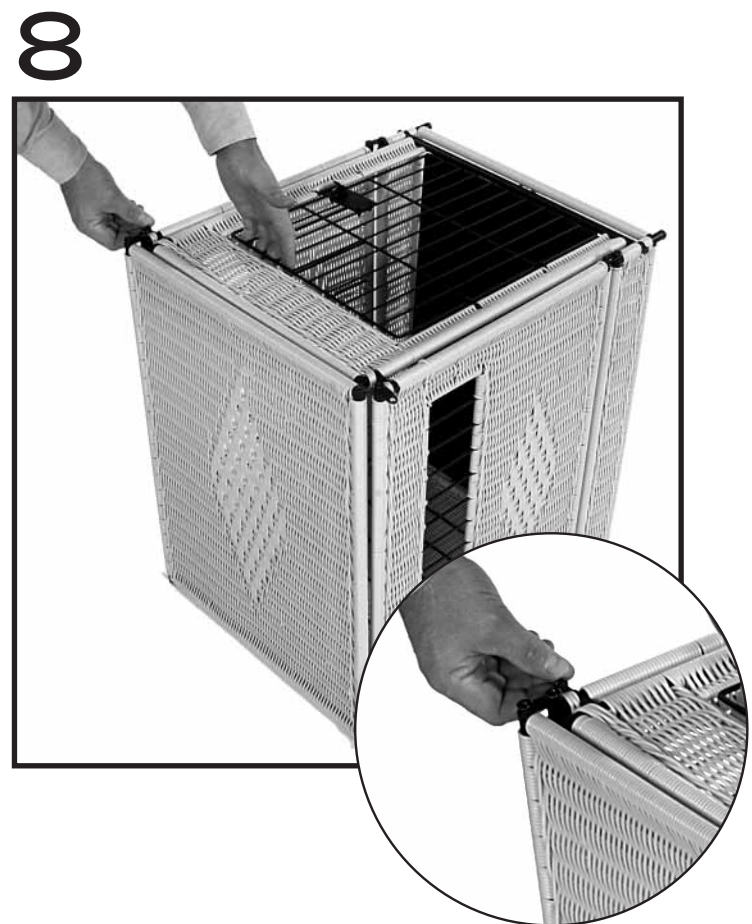
Unpacking/Unfolding



Assembly of back panel — finger tighten only

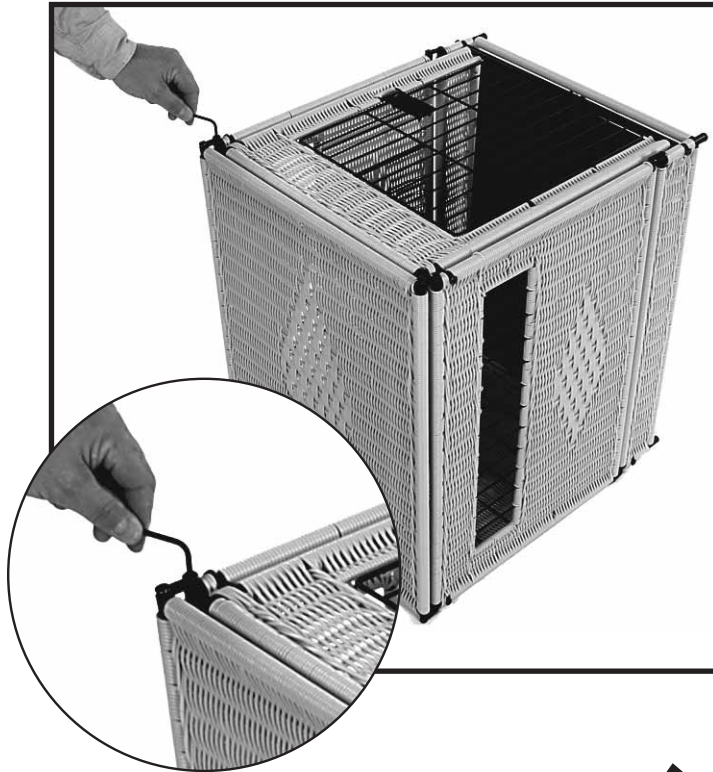


Assembly of front panel — finger tighten only

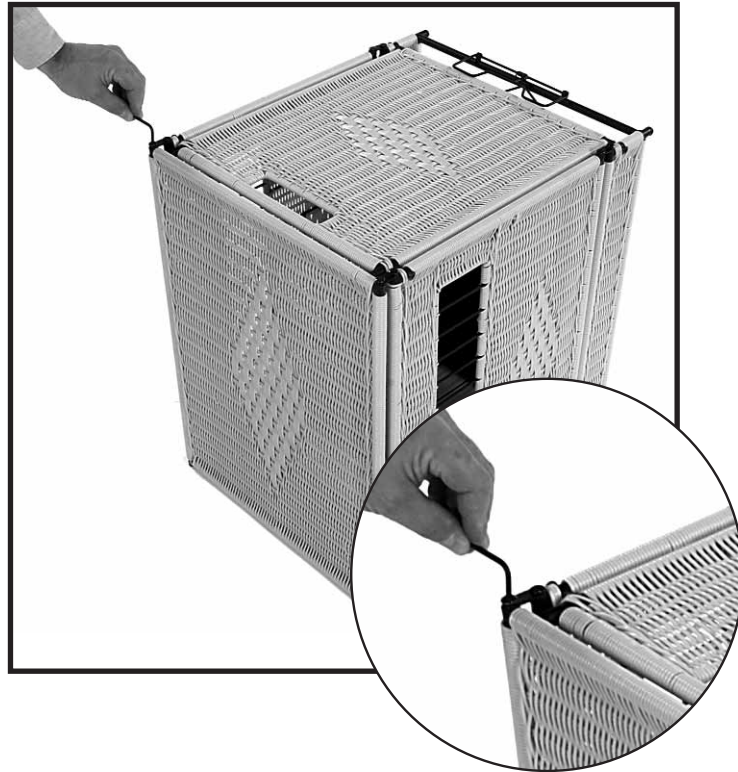


Tighten ALL screws with allen wrench provided in hardware packet

11



12



HOUSE-PET'S HOME



MR. HERZHER'S · PO BOX 430 AUBURN AL 36831-0430 · PHONE 334-821-7800 · WWW.MRHERZHER.COM

HOUSE-PET'S HOME

ASSEMBLY INSTRUCTIONS



Contents: 1 pet home, 1 hardware packet (screws and allen wrench)

- Gradually acquaint you pet with his new home.
- Encourage your pet to go into his home on his own. Don't force him.
- At first don't close the door on him, let him go in and out on his own.
- Place familiar items in the home like soft, comfortable bedding or a favorite toy.
 - Never punish you pet by putting or forcing him into his home.
- Your pets home should be his secure place, not associated with punishment.
 - Save all packaging materials for disassembly and storage.

PATENTS PENDING



MR. HERZHER'S · PO BOX 430 AUBURN AL 36831-0430 · PHONE 334-821-7800 · WWW.MRHERZHER.COM