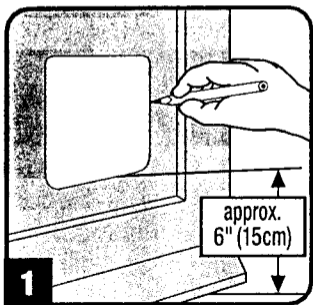
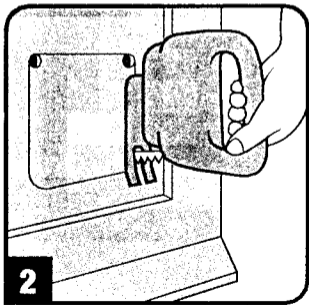


# Installation Instructions

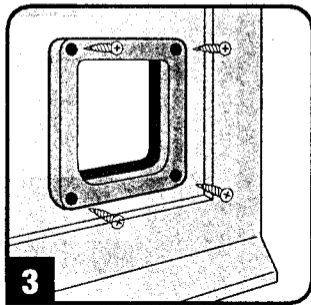
Place template in desired position and trace the outside edge.



Drill holes in each corner to accommodate your jig saw blade. Cut out.



Attach frame with flap to door surface using screws provided.



Using adhesive strips provided, apply remaining frame to reverse side of door.

